

Technical data sheet



Product features

Cooking range gas 2x burner ECO on open cabinet

Model	SAP Code	00110106
--------------	-----------------	----------



- Device type: Gas unit
- Power consumption of the zone 1 [kW]: 1x burner 3.5 kW
- Power consumption of the zone 2 [kW]: 1x burner 6 kW
- Protection of controls: IPX4
- Material: AISI 304 top plate, AISI 430 cladding

SAP Code	00110106	Power gas [kW]	9.500
Net Width [mm]	400	Type of gas	Natural gas, propane butane
Net Depth [mm]	700	Number of zones	2
Net Height [mm]	900	Power consumption of the zone 1 [kW]	1x burner 3.5 kW
Net Weight [kg]	28.00	Power consumption of the zone 2 [kW]	1x burner 6 kW

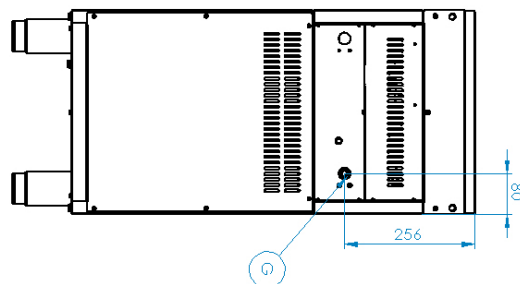
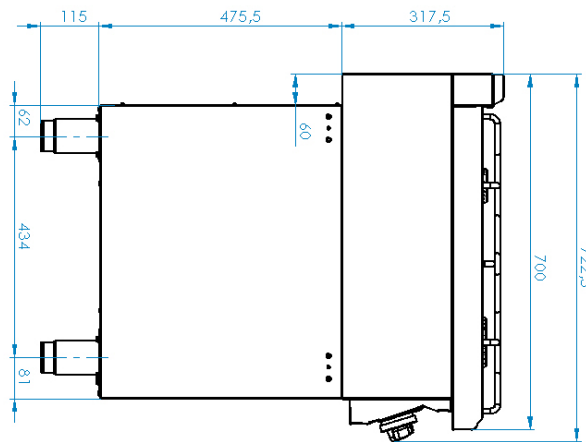
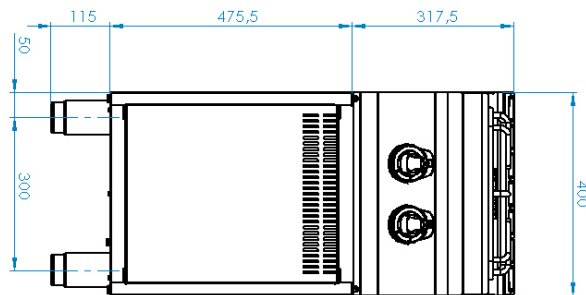
Technical data sheet



Technical drawing

Cooking range gas 2x burner ECO on open cabinet

Model	SAP Code	00110106
--------------	-----------------	----------



Cooking range gas 2x burner ECO on open cabinet

Model	SAP Code	00110106
--------------	-----------------	----------

1

Massive construction of burners

high performance and efficiency
cast iron burners removable
long life

- energy saving (perfect combustion)
- time saving for food preparation
- easy maintenance/cleaning

2

Hygienic moldings of the top plate

absence of sharp corners and edges (potential places where dirt could stick)
smooth transitions

- easy quick cleaning

3

Degree of protection of the control elements IPX4

maintenance-free system
resistance to splash water
long life

- savings on service interventions
- easy cleaning and maintenance of equipment

4

All-stainless design

long life
resistance of a ground steel plate with a thickness of 10 mm

- savings on service interventions
- higher corrosion resistance

5

Safety element - thermocouple

safe operation for personnel
there is no overheating and damage to the thallus
long life

- savings on service interventions
- easier and faster operation

6

Variability

the possibility of adding to the current line
easy possibility of creating one module
long life

- cost saving
- space saving
- long service life

Technical data sheet



Technical parameters

Cooking range gas 2x burner ECO on open cabinet

Model

SAP Code

00110106

1. SAP Code:

00110106

2. Net Width [mm]:

400

3. Net Depth [mm]:

700

4. Net Height [mm]:

900

5. Net Weight [kg]:

28.00

6. Gross Width [mm]:

440

7. Gross depth [mm]:

800

8. Gross Height [mm]:

975

9. Gross Weight [kg]:

36.00

10. Device type:

Gas unit

11. Construction type of device:

With substructure

12. Power gas [kW]:

9.500

13. Type of gas:

Natural gas, propane butane

14. Protection of controls:

IPX4

15. Material:

AISI 304 top plate, AISI 430 cladding

16. Worktop type:

Molded - comfortable cleaning maintenance

17. Worktop material:

AISI 304

18. Worktop Thickness [mm]:

1.20

19. Number of zones:

2

20. Power consumption of the zone 1 [kW]:

1x burner 3.5 kW

21. Power consumption of the zone 2 [kW]:

1x burner 6 kW

22. Grid material:

Cast iron

23. Service accessibility:

Trough the frontal panel

24. Safety thermocouple:

Yes

25. Adjustable feet:

Yes

26. Number of burners/hot plates:

2

27. Type of gas cooking zones:

Cast iron burners

28. Burner type:

Cast iron, detachable, with internal and external combustion

Technical data sheet



Technical parameters

Cooking range gas 2x burner ECO on open cabinet

Model	SAP Code	00110106
--------------	-----------------	----------

29. Connection to a ball valve:

1/2